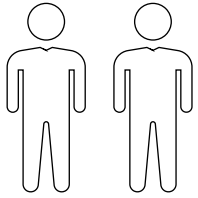
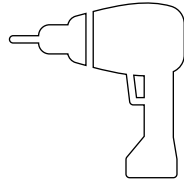


Plinth Installation

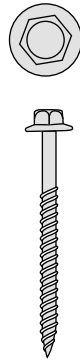
What you'll need



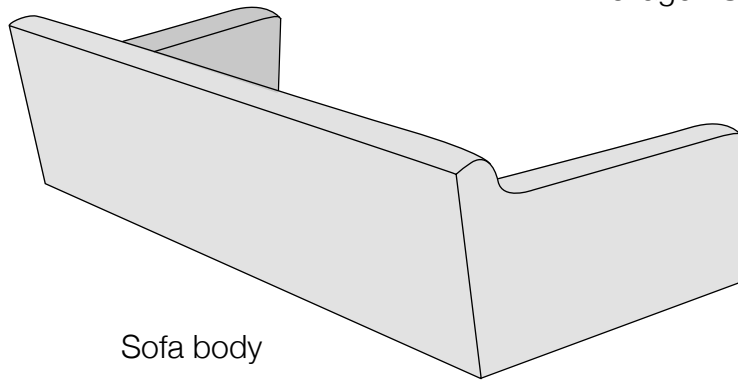
2 people



Power drill



12 x Self Drilling
Hexagon Screws

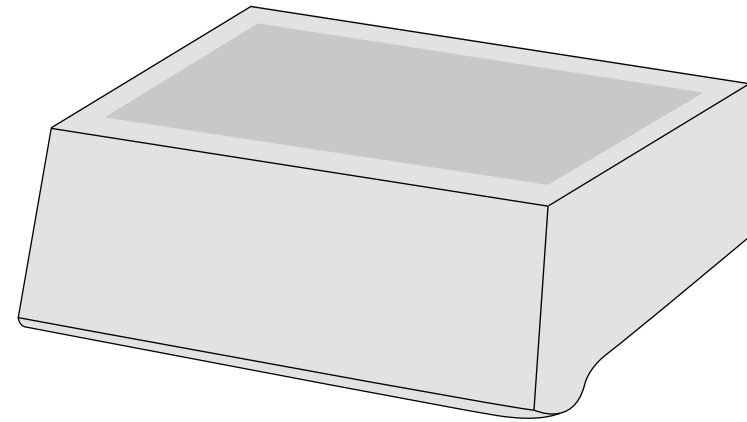


Sofa body



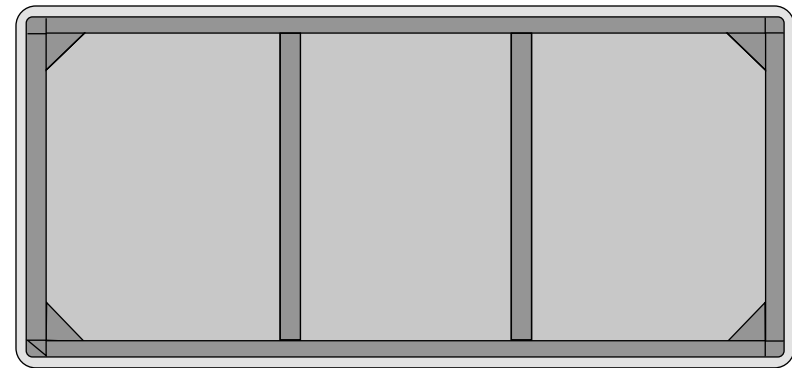
Plinth

Assembly



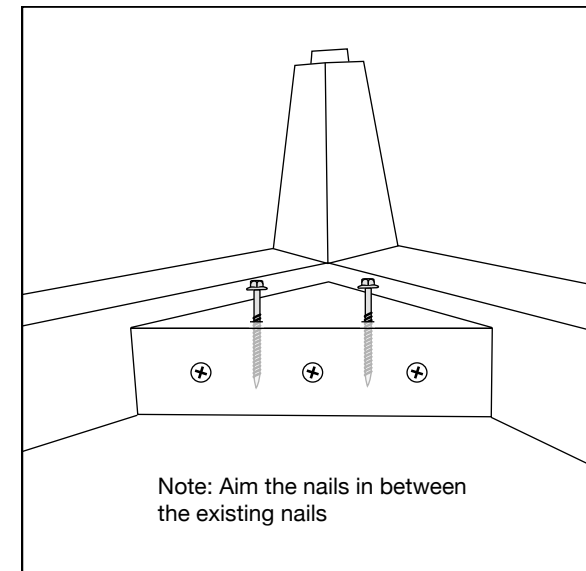
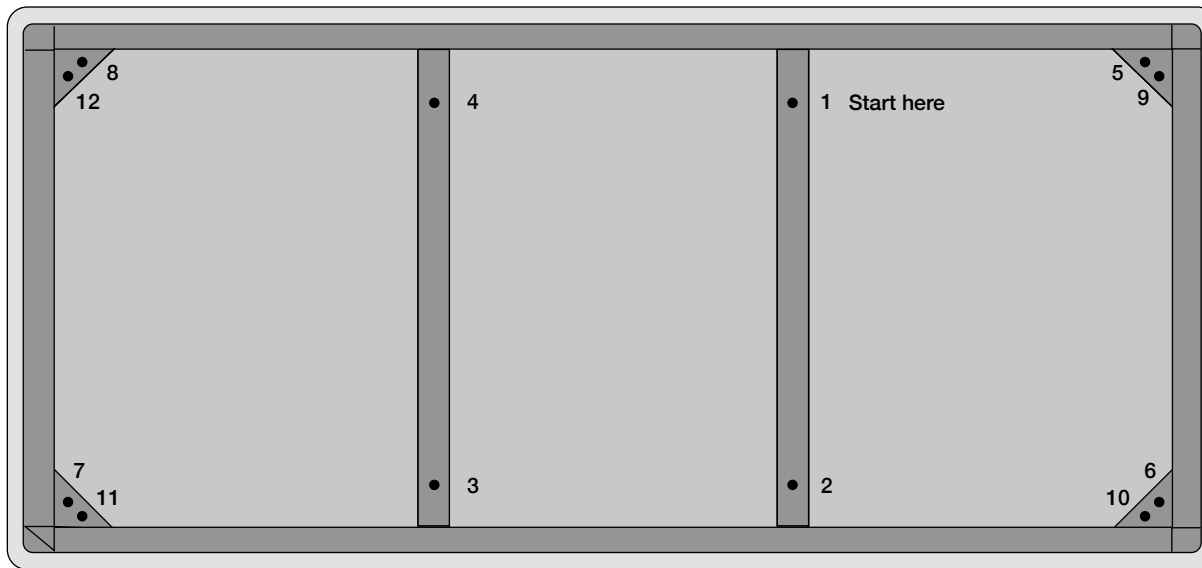
Step 1

With assistance – invert sofa on to a clean surface to reveal dust cover underneath. Ensure sofa is supported and flat.



Step 2

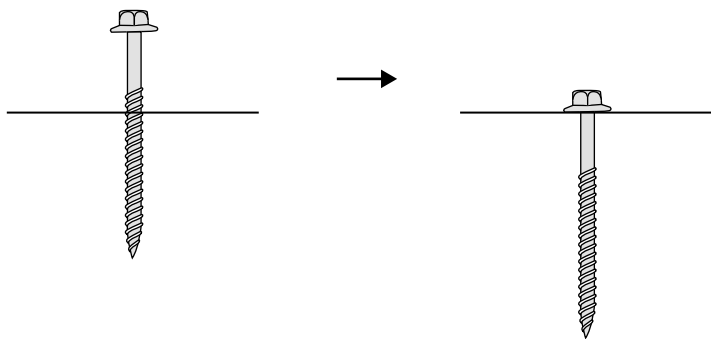
Position timber plinth over dustcover ensuring it is centred over the base of the sofa.



Step 3

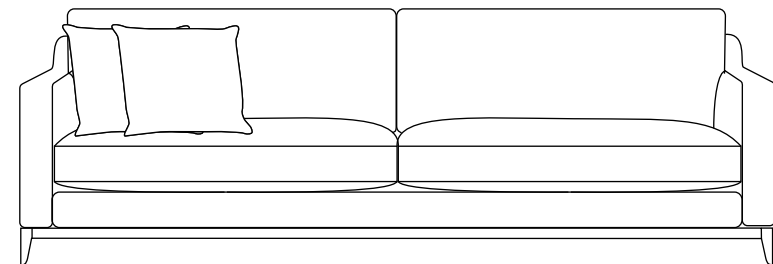
Using a powered drill and self drilling screws supplied – screw to 2/3 depth.

Advisable to start at under rails then work clockwise around to each corner (refer diagram).



Step 4

Tighten all screws with drill.



Step 5

With assistance flip sofa to correct side and place the seat cushions and scatters in place.